



THE **FASTEST**
WAY TO
FREEZE A PALLET
TEMPER
CHILL
WARM

THE **M** STANDS FOR MAXIMUM
AIRFLOW, MODULAR, MOBILE...
OR JUST PLAIN MAGIC.

Now you can get the same revolutionary freezing power of Tippmann's QuickFreeze In-Rack Freezing System in a modular, mobile unit. QFM is designed to work with your existing racking and allows you to increase capacity—FAST.

MODULAR

Users can install & remove QFM themselves. This allows equipment to be moved to other locations or stored off season.

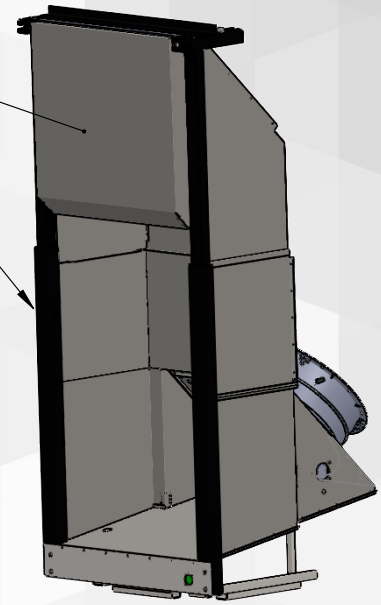
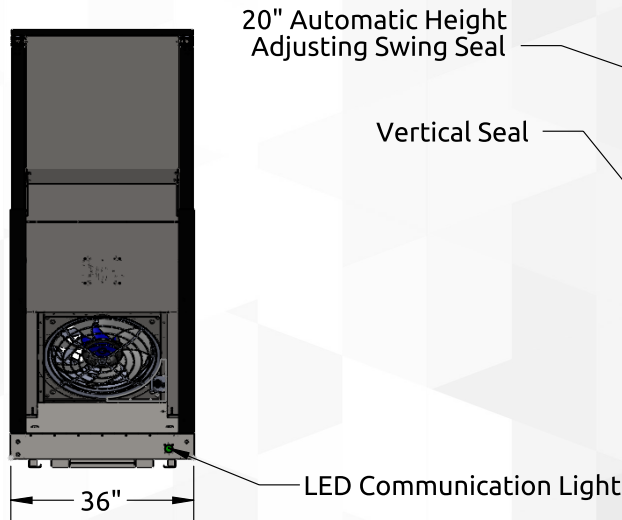
FASTER

Freeze pallets up to **80%** faster than conventional methods.

SMARTER

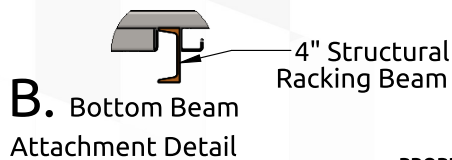
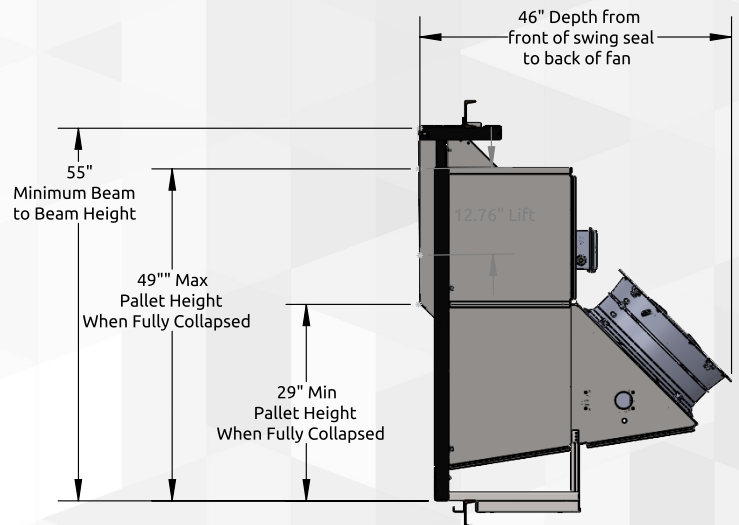
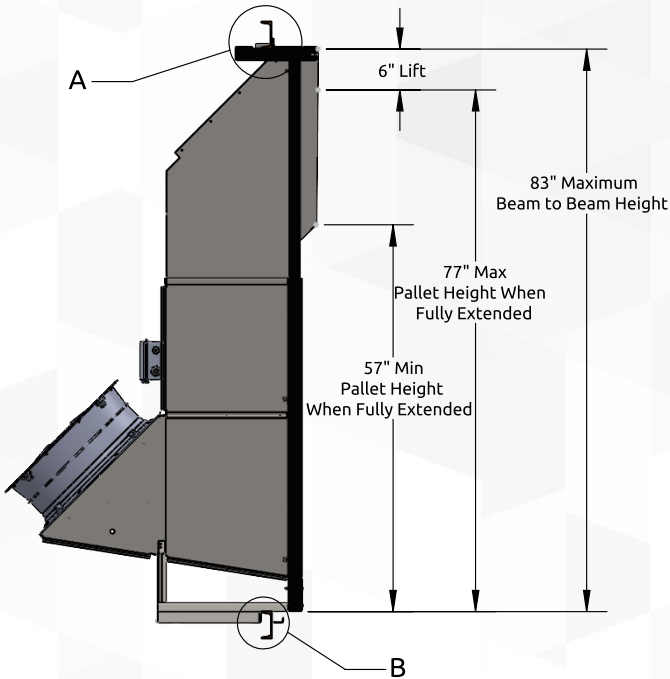
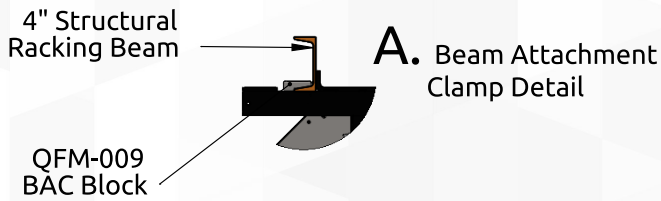
- **Freezing Profiles** – Store SKU specific freeze performance for extremely accurate dwell times
- **Occupancy Sensing** – QFM starts when the pallet is placed in front of the QFM and stopped when the dwell time is reached
- **IoT** – Data Logging, Remote Control, WiFi, JSON Communication
- **Remote Control** – Change the cycle time remotely through API or web interface





***Plenum Extensions:**

The QFM has NO maximum beam to beam height limitation as we offer plenum extensions which allow installation to any height of beam to accommodate any height of pallet



HS Codes for Import/Export Shipping

QFM	8414.60.0000
QFM Fan Only	8414.59.6590
QFM Control Box	8414.90.1080
QFM Install Tool	8482.90.0390

PROPRIETARY AND CONFIDENTIAL
 The information contained in this drawing is the sole property of QuickFreeze. Any reproduction in part or as a whole without the written permission of QuickFreeze is prohibited.

