

20" Automatic Height Adjusting Swing Seal

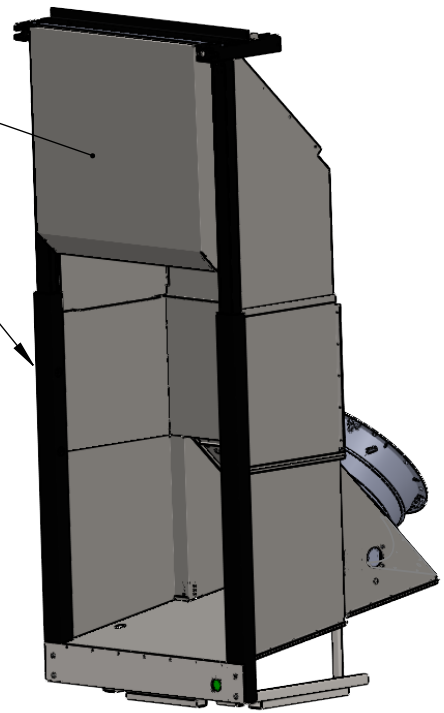
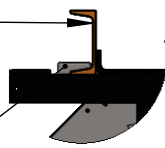
Vertical Seal

LED Communication Light

A. Beam Attachment Clamp Detail

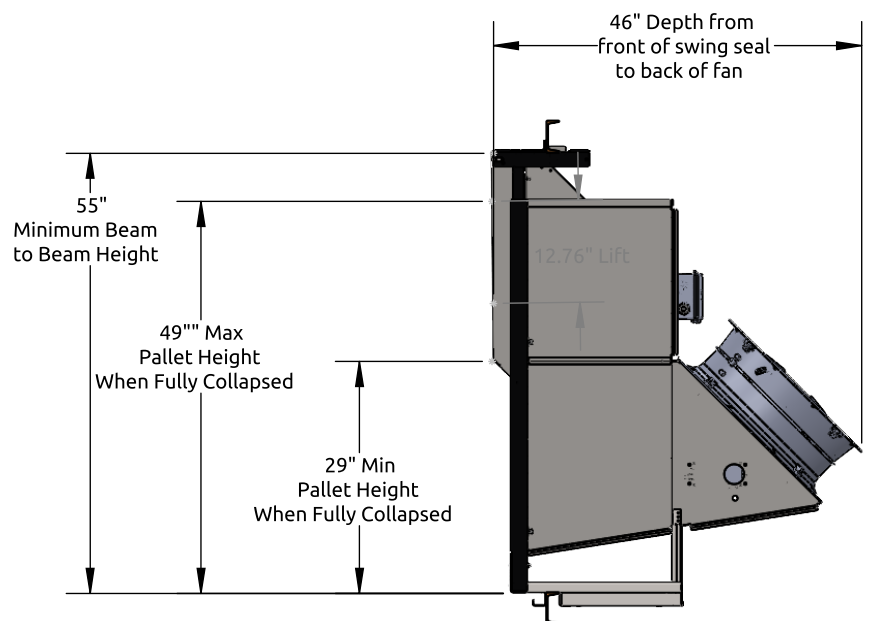
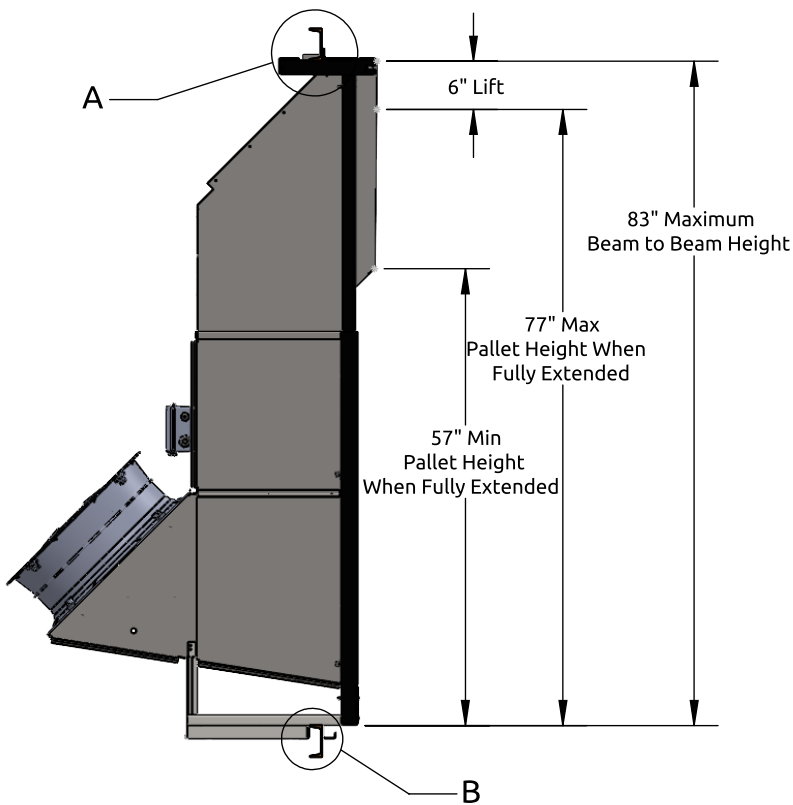
4" Structural Racking Beam

QFM-009 BAC Block



***Plenum Extensions:**

The QFM has NO maximum beam to beam height limitation as we offer plenum extensions which allow installation to any height of beam to accommodate any height of pallet



B. Bottom Beam Attachment Detail



4" Structural Racking Beam

PROPRIETARY AND CONFIDENTIAL

The information contained in this drawing is the sole property of QuickFreeze. Any reproduction in part or as a whole without the written permission of QuickFreeze is prohibited.

HS Codes for Import/Export Shipping

QFM	8414.60.0000
QFM Fan Only	8414.59.6590
QFM Control Box	8414.90.1080
QFM Install Tool	8482.90.0390

